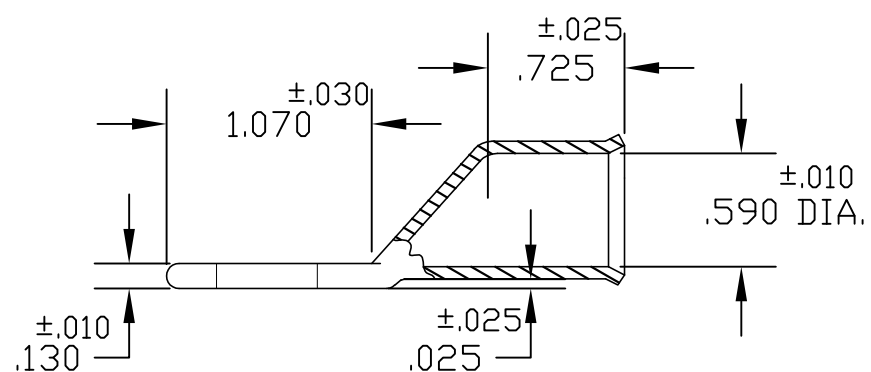
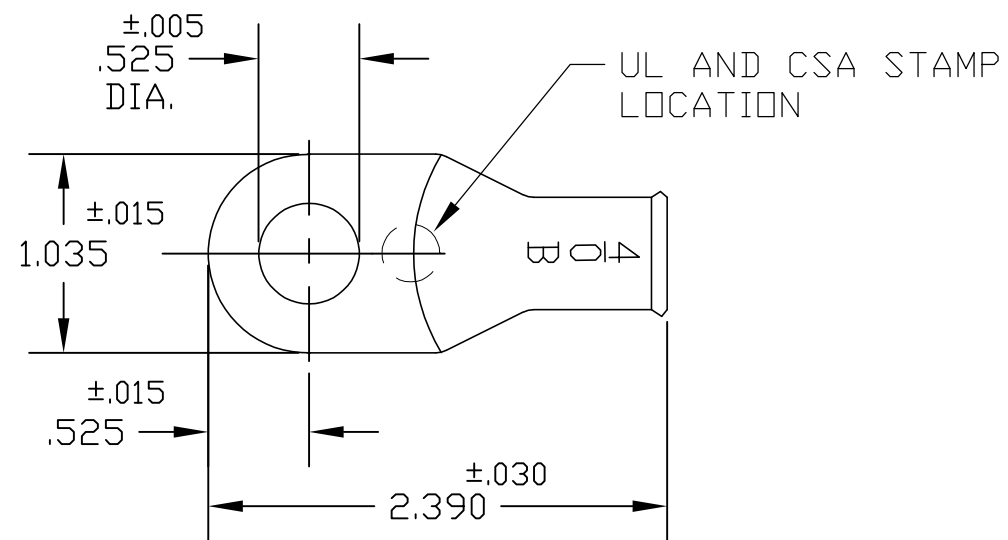


THIS DRAWING IS UNPUBLISHED. RELEASED FOR PUBLICATION

© COPYRIGHT BY TYCO ELECTRONICS CORPORATION. ALL RIGHTS RESERVED.

LOC	DIST	REVISIONS			
P	LTR	DESCRIPTION	DATE	DWN	APVD
G	50	C	REV PER ECR 07-014512	21JUN07	JR DD



ACTIVE	40502-01	STANDARD	TIN PLATE	1526873-2
ACTIVE	40502-00	STANDARD	PLAIN	1526873-1
STATUS	AET P/N	PACKAGING	FINISH	PART NUMBER

THIS DRAWING IS A CONTROLLED DOCUMENT.		DWN D.A.A 11/3/00	Tyco Electronics Corporation Harrisburg, PA 17105-3608		
DIMENSIONS: INCHES		CHK H.D.F 11/3/00	NAME 4/0B STANDARD TERMINAL		
TOLERANCES UNLESS OTHERWISE SPECIFIED:		APVD H.D.F 11/3/00	PRODUCT SPEC -		
0 PLC ± -		APPLICATION SPEC -			
1 PLC ± -		SIZE A3			
2 PLC ± -		CAGE CODE 00779			
3 PLC ± -		DRAWING NO C-1526873			
4 PLC ± -		RESTRICTED TO -			
ANGLES ± -		WEIGHT -			
MATERIAL COPPER ASTM B-152		FINISH -			
		CUSTOMER DRAWING		SCALE 1:1	SHEET 1 OF 1
				REV C	